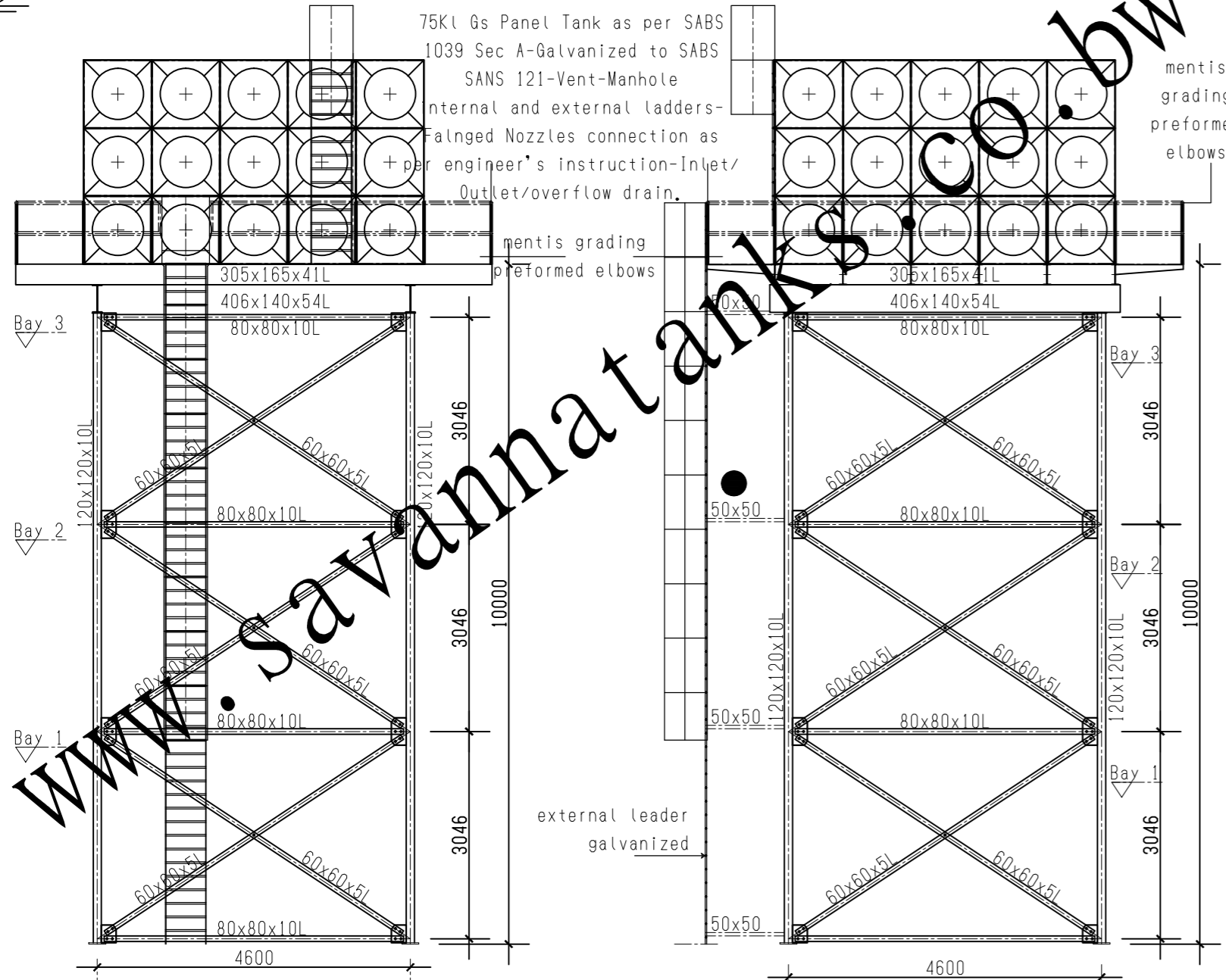


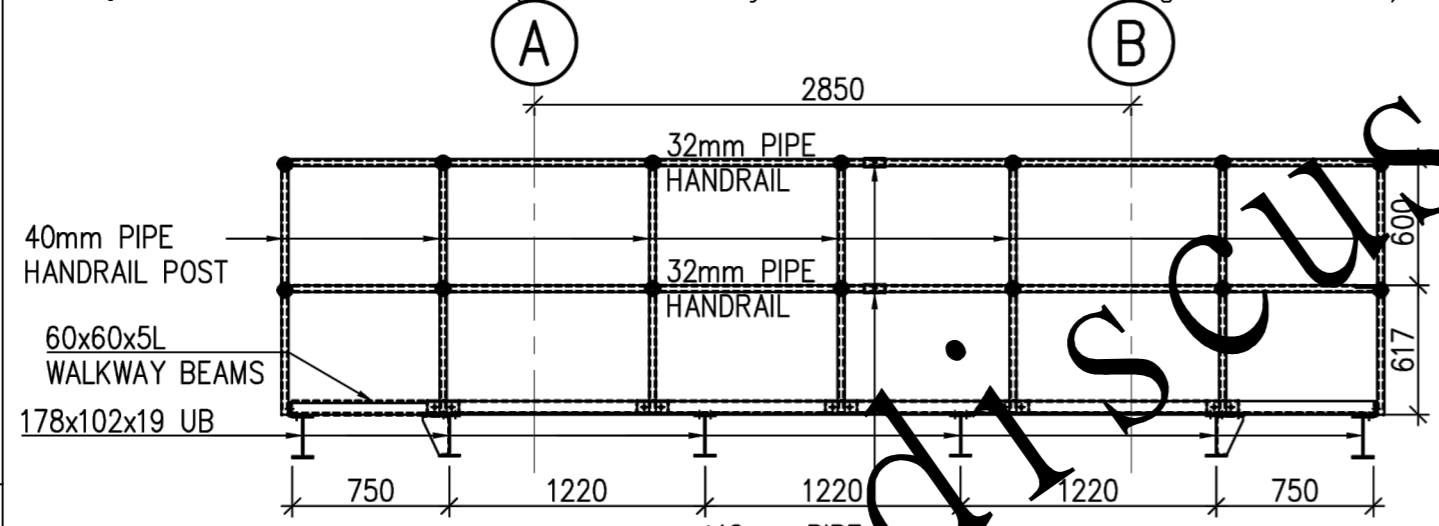
1. This drawing is a proposed drawing for discussion only



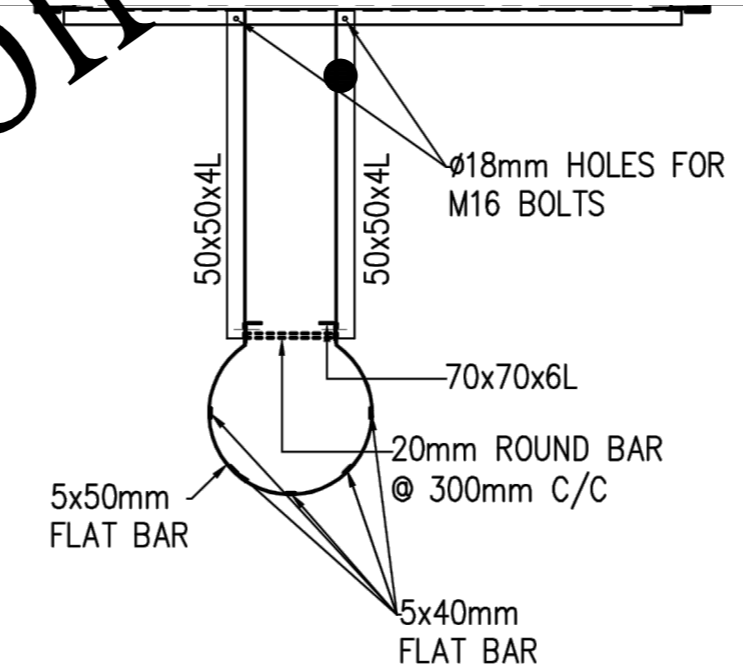
ELEVATION A
scale 1:100

ELEVATION B
scale 1:100

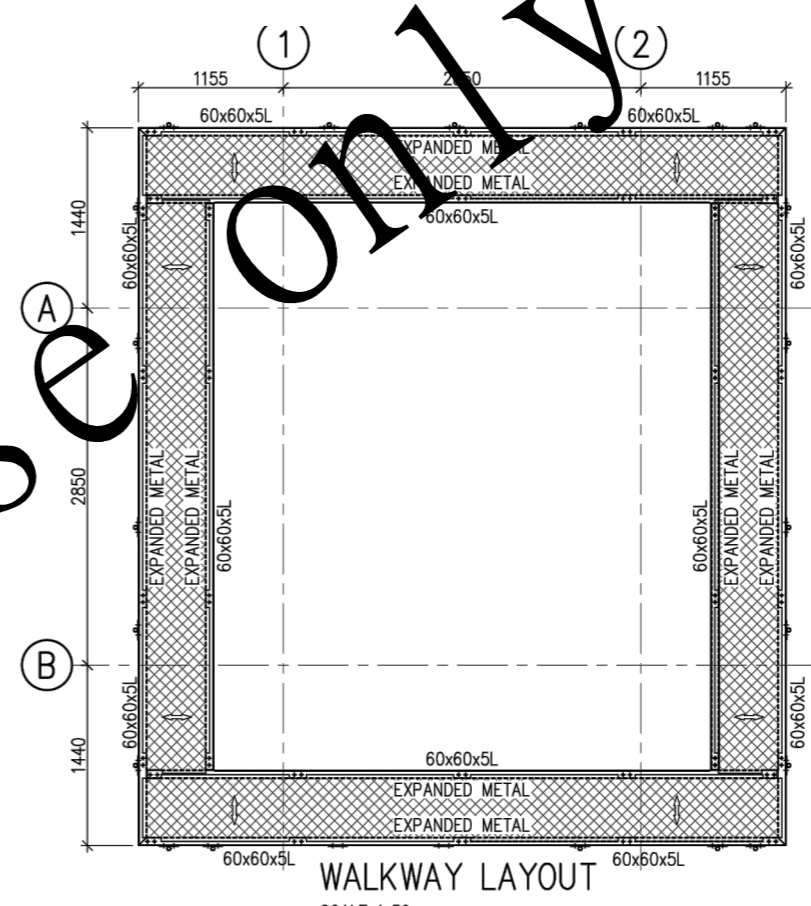
2. The drawing is subjected to change at any time



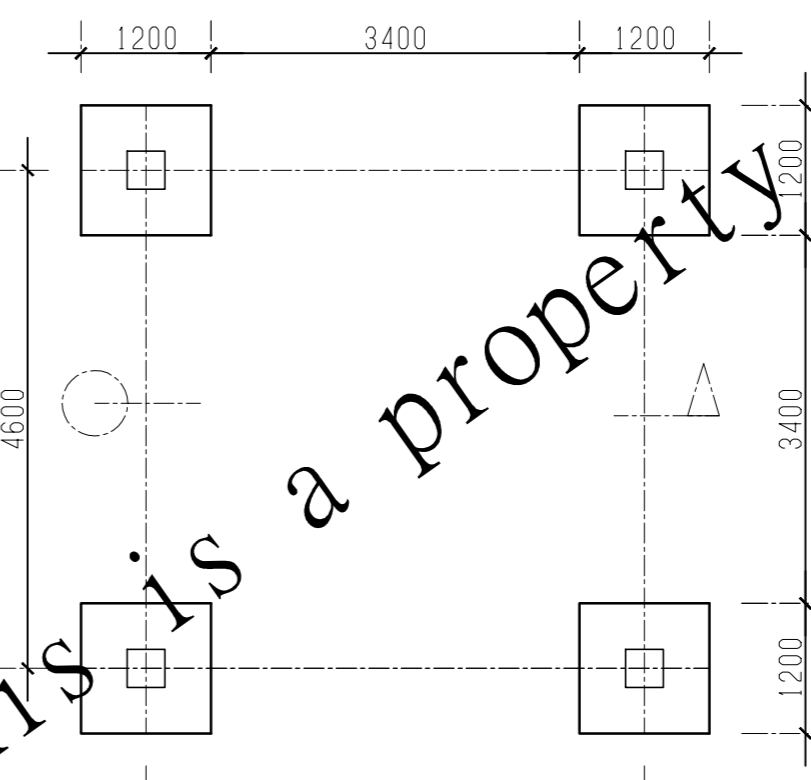
HANDRAILS ELEVATION
SCALE 1:50



LADDER SUPPORT DETAIL
SCALE 1:50



WALKWAY LAYOUT
SCALE 1:50



FOUNDATION LAYOUT
scale 1:100

CONCRETE GRADES

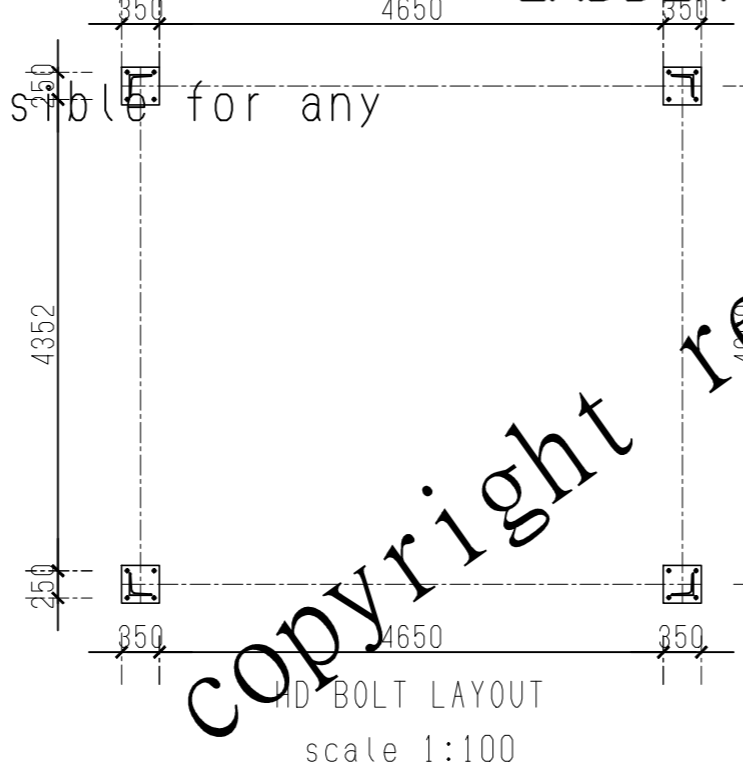
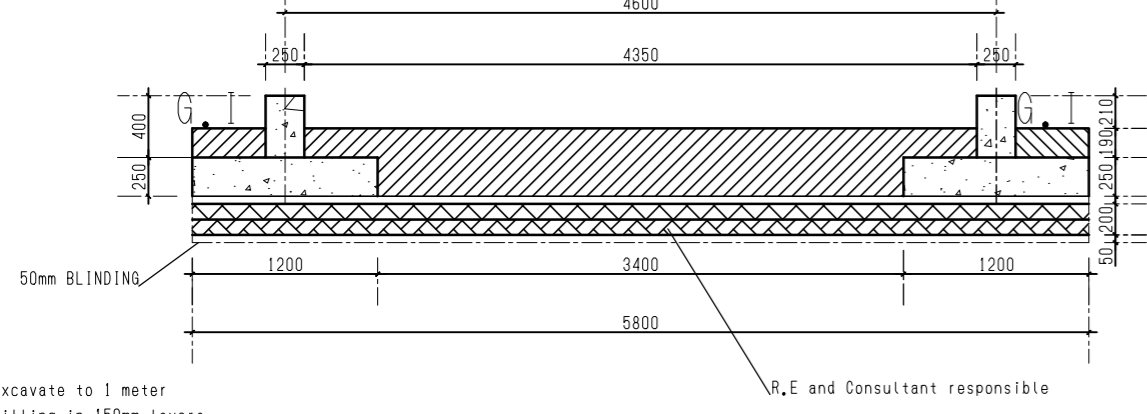
- THE FOLLOWING CONCRETE GRADES ARE TO BE ADOPTED FOR CONSTRUCTION.
- 1/ ALL MASS CONCRETE FILL AND BLINDING LAYERS GRADE 15MPa.
 - 2/ ALL FOUNDATION SLABS GRADE 30MPa.
 - 3/ ALL DWARF WALLS GRADE 30MPa.

GENERAL SPECIFICATION

- NOTES ON FOUNDATION CONSTRUCTION
- 1/TOPSIDE OF RAFT TO BE 50MM ABOVE FINISHED GROUND LEVEL TO ALLOW FOR DRAINAGE.
 - 2/ SOIL UNDER RAFT TO BE CAPABLE OF SUSTAINING A MIN. ALLOWABLE BEARING PRESSURE OF 100kPa WITHOUT FAILURE OR EXCESSIVE SETTLEMENT.
 - 3/MAKE UP ANY OVER EXCAVATED AREAS TO UNDERSIDE OF RAFT FOUNDATION AND ASSOCIATED STRUCTURE WITH CEMENT STABILISED (5% BY WIEGHT) SELECTED INERT NON-EXPANSIVE MATERIAL, COMPACTED IN LAYERS NOT EXCEEDING 150mm.
 - 4/ONLY OR 1/500 DEFLECTION ALLOWED
- REINFORCED CONCRETE WORK
- 1/ALL UPSTAND BEAMS 200 WIDE
 - 2/ALL EXPOSED CONCRETE TO HAVE SMOOTH OFF SHUTTER FINISH U.N.O.
 - 3/ALL EXTERNAL CORNERS TO HAVE 30mm CHAMFERED FINISH.
 - 4/ALL CONCRETE TO BE GRADE 30MPa.

- NOTES ON REINFORCEMENT
- 1/COVER TO REINFORCEMENT
 - 40mm COVER TO BASE SLAB
 - 30mm COVER TO DWARF WALL/BAM
 - 2/ENGINEER TO INSPECT AND APPROVE FINAL STEEL FIX PRIOR TO CASTING CONCRETE.
 - 3/ALL REINFORCEMENT STEEL TO COMPLY WITH BS4449, BS4482 & BS4483.
 - 4/MINIMUM LAP LENGTH 50 x BAR DIAMETER U.N.O.
- STRUCTURAL STEELWORK
- 1/ALL STEELWORK FOR CAST IN PLATES, SPRAGS, FLAT BAR ETC. TO BE IN ACCORDANCE WITH SABS 1431 GRADE 300WA OR SIMILAR APPROVED.
 - 2/ALL WELDS TO BE MIN. 6mm CONTINUOUS FILLET U.N.O.
 - 3/FABRICATION, WORKMANSHIP ETC. TO BE IN ACCORDANCE WITH SABS 1200M
 - 4/ALL BOLTS TO SABS 1700 (ISO4016)

3. Savanna Tanks not to be held responsible for any unauthorised use of this drawing



BOLT LAYOUT
scale 1:100

This drawing is vested in & is property of V.C.I it shall not be traced, copied or reproduced in any manner whatsoever without written consent.

CLIENT ;

Project Title
75KI GRP TANK ON 10M STAND

Savanna Tanks™
Water Solutions for Africa

A DIVISION OF
VCI
VANCOUVER CONSOLIDATED INVESTMENTS

Head Office
P/Bag Bo 273
Gaborone
Botswana
vci@global.com

REV
A

(Ers. f.:) (Ers. d.:)

Datum Name multi-view detail plan