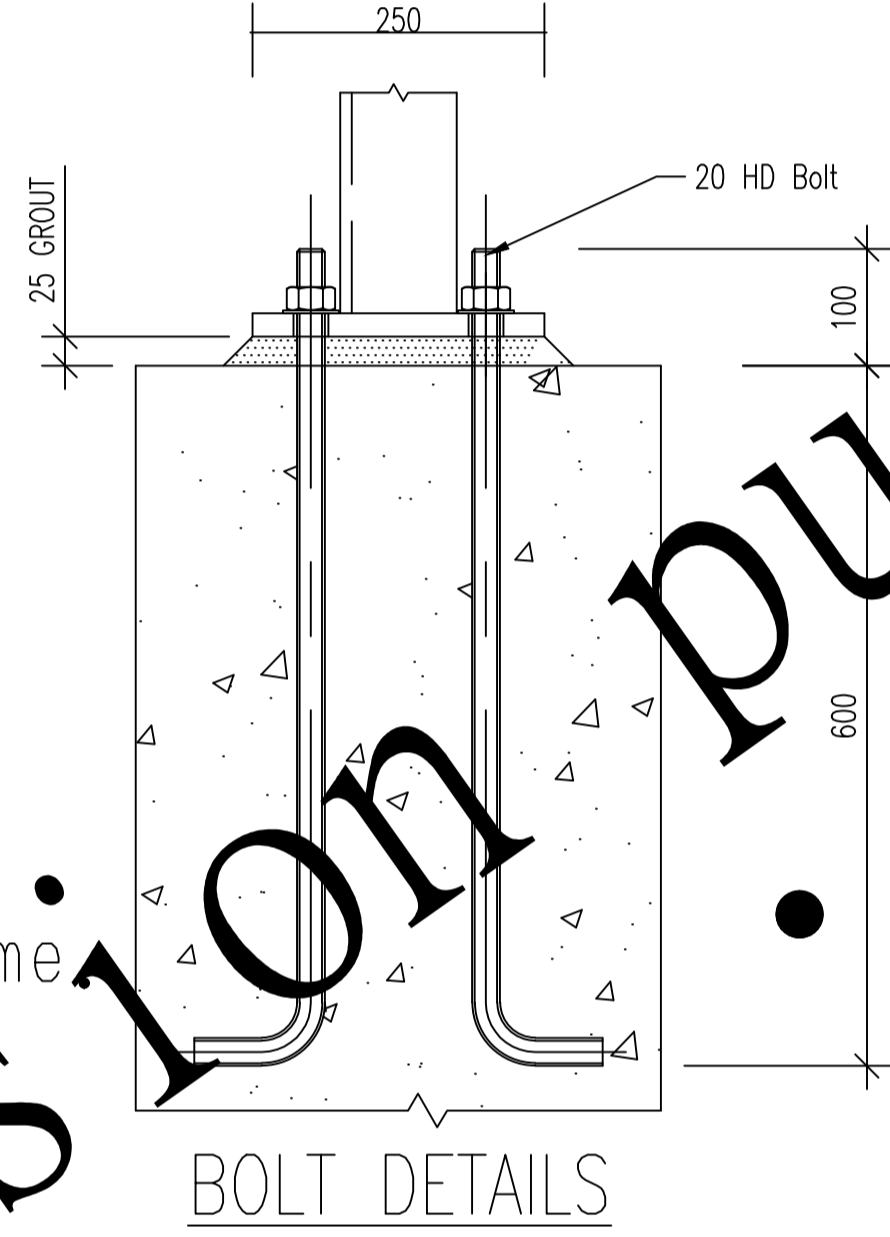
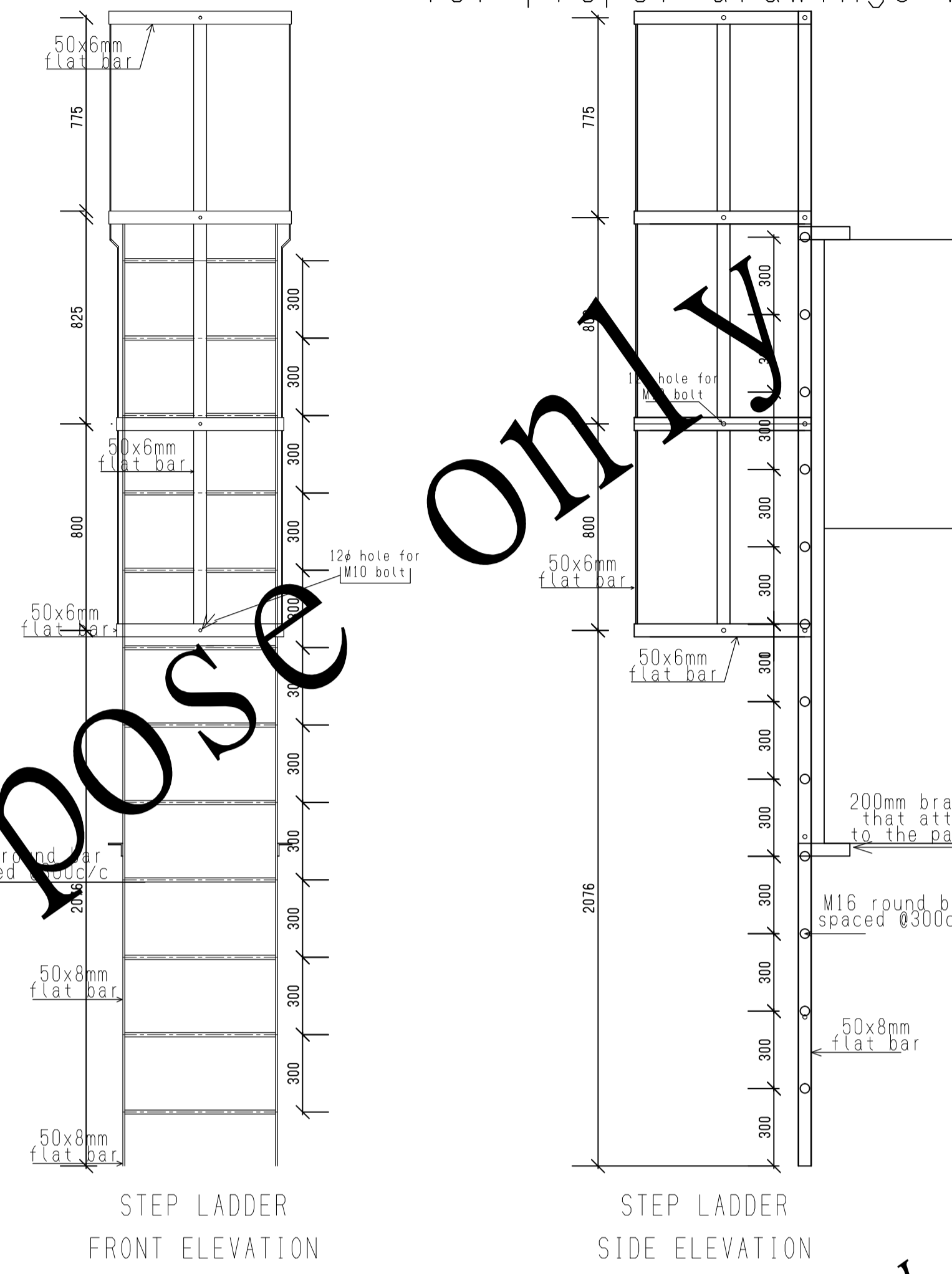
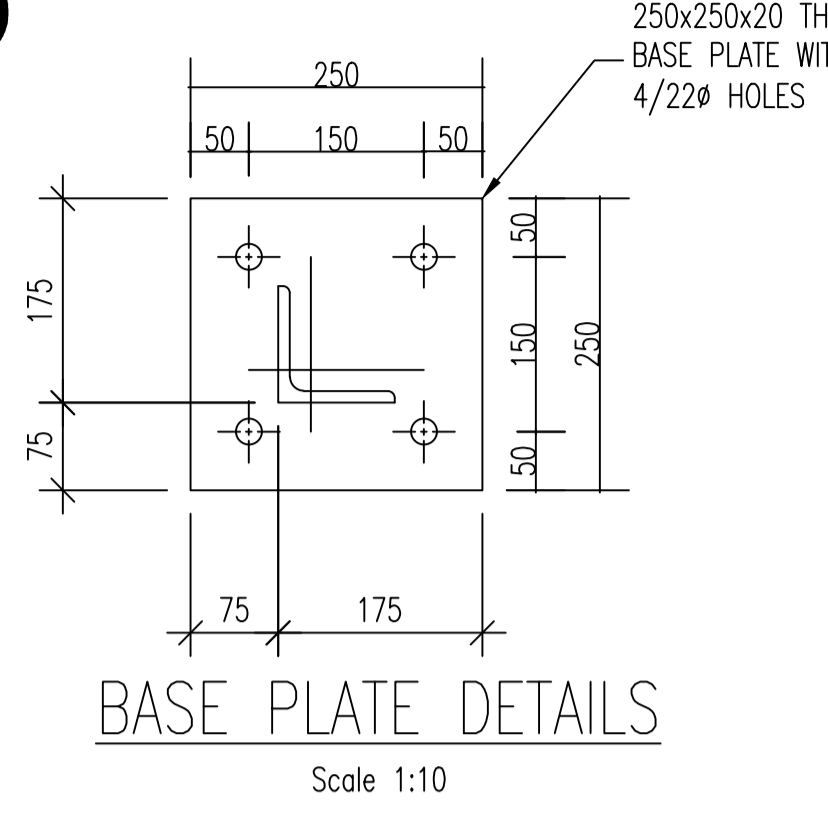
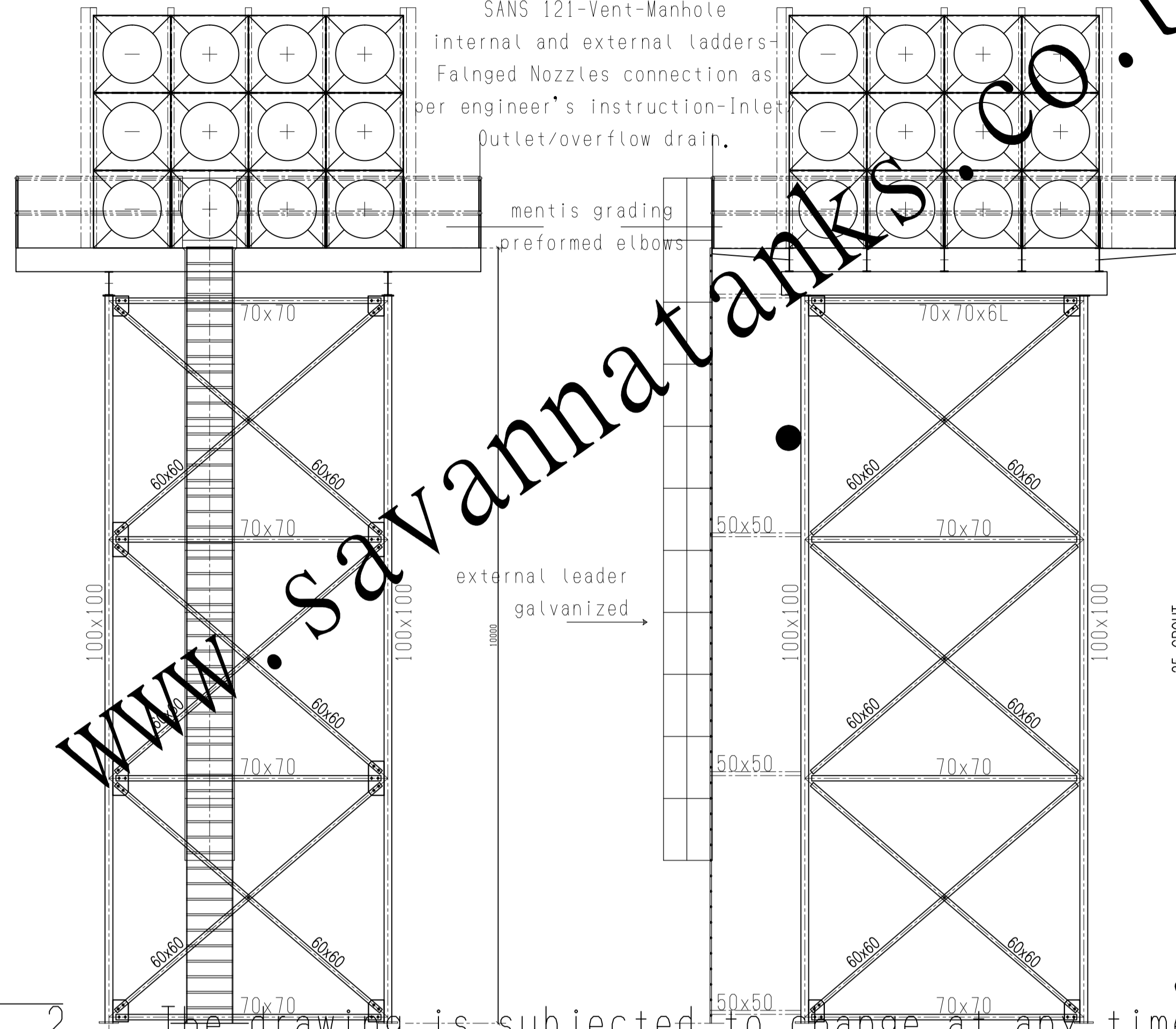


1. This drawing is a proposed drawing for discussion only

contact www.savannatanks.co.bw

for proper drawings with engineer certification

50kL GRP Panel Tank as per SABS
1039 Sec A-Galvanized to SABS
SANS 121-Vent-Manhole
Internal and external ladders-
Flanged Nozzles connection as
per engineer's instruction-Inlet
Outlet/overflow drain.



2. The drawing is subjected to change at any time

CONCRETE GRADES
THE FOLLOWING CONCRETE GRADES ARE TO BE ADOPTED FOR CONSTRUCTION.
1/ ALL MASS CONCRETE FILL AND BLINDING LAYERS GRADE 15MPa.
2/ ALL FOUNDATION SLABS GRADE 30MPa.
3/ ALL DWARF WALLS GRADE 30MPa.

GENERAL SPECIFICATION
NOTES ON FOUNDATION CONSTRUCTION
1/ TOPSIDE OF RAFT TO BE 50MM ABOVE FINISHED GROUND LEVEL TO ALLOW FOR DRAINAGE.
2/ SOIL UNDER RAFT TO BE CAPABLE OF SUSTAINING A MIN. ALLOWABLE BEARING PRESSURE OF 100kPa WITHOUT FAILURE OR EXCESSIVE SETTLEMENT.
3/ MAKE UP ANY OVER EXCAVATED AREAS TO UNDERSIDE OF RAFT FOUNDATION AND ASSOCIATED STRUCTURE WITH CEMENT STABILISED (5% BY WEIGHT) SELECTED INERT NON-EXPANSIVE MATERIAL, COMPACTED IN LAYERS NOT EXCEEDING 150mm.
4/ ONLY OR 1/500 DEFLECTION ALLOWED

REINFORCED CONCRETE WORK
1/ ALL UPSTAND BEAMS 200 WIDE
2/ ALL EXPOSED CONCRETE TO HAVE SMOOTH OFF SHUTTER FINISH U.N.O.
3/ ALL EXTERNAL CORNERS TO HAVE 30mm CHAMFERED FINISH.
4/ ALL CONCRETE TO BE GRADE 30MPa.

NOTES ON REINFORCEMENT
1/ COVER TO REINFORCEMENT
40mm COVER TO BASE SLAB
30mm COVER TO DWARF WALL/BEAM
2/ ENGINEER TO INSPECT AND APPROVE FINAL STEEL FIX PRIOR TO CASTING CONCRETE.
3/ ALL REINFORCEMENT STEEL TO COMPLY WITH BS4449, BS4482 & BS4483.
4/ MINIMUM LAP LENGTH 50 x BAR DIAMETER U.O.N.

STRUCTURAL STEELWORK
1/ ALL STEELWORK FOR CAST IN PLATES, SPRAGS, FLAT BAR ETC. TO BE IN ACCORDANCE WITH SABS 1431 GRADE 300WA OR SIMILAR APPROVED.
2/ ALL WELDS TO BE MIN. 6mm CONTINUOUS FILLET U.N.O.
3/ FABRICATION, WORKMANSHIP ETC. TO BE IN ACCORDANCE WITH SABS 1200M
4/ ALL BOLTS TO SABS 1700 (ISO4016)

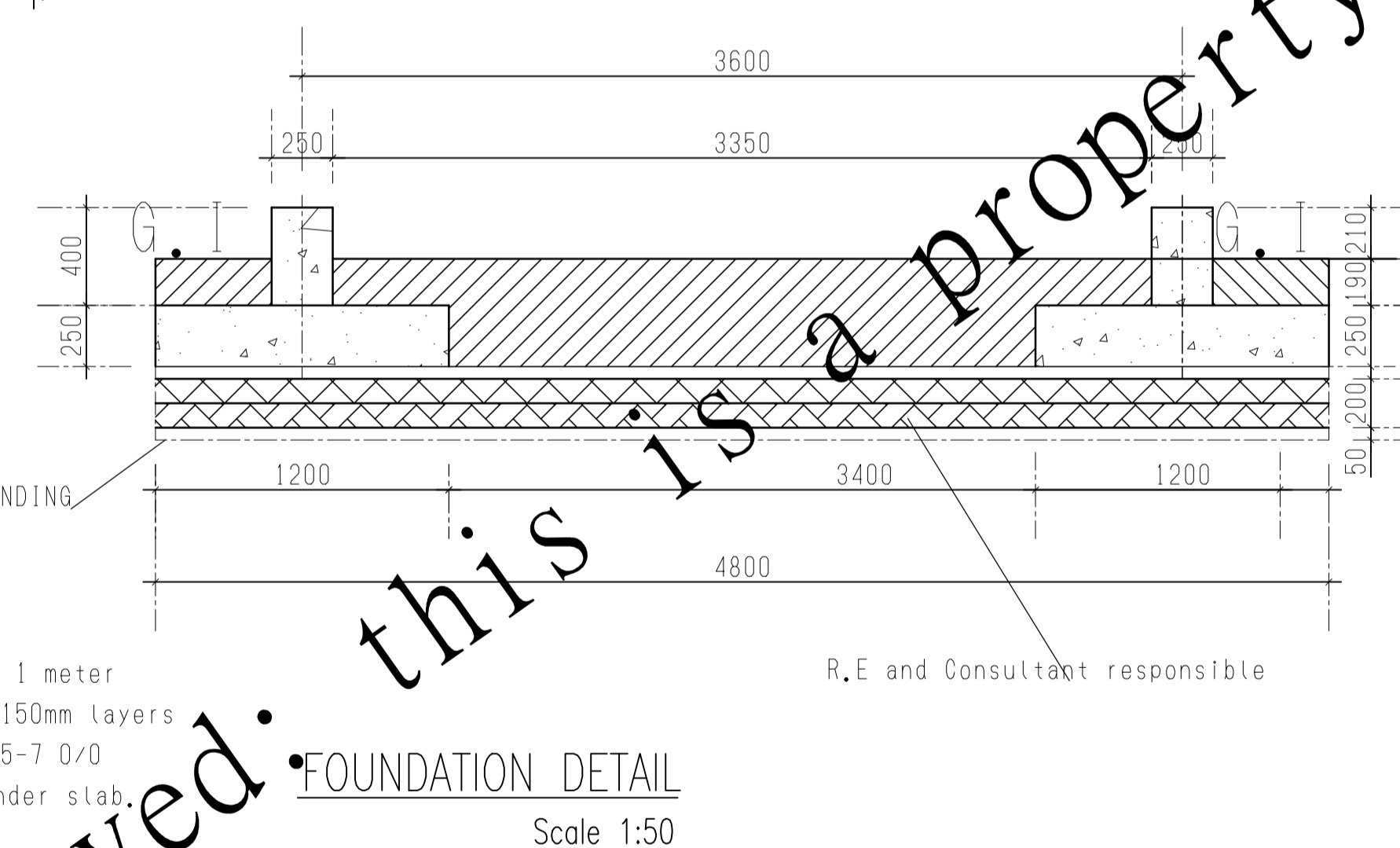
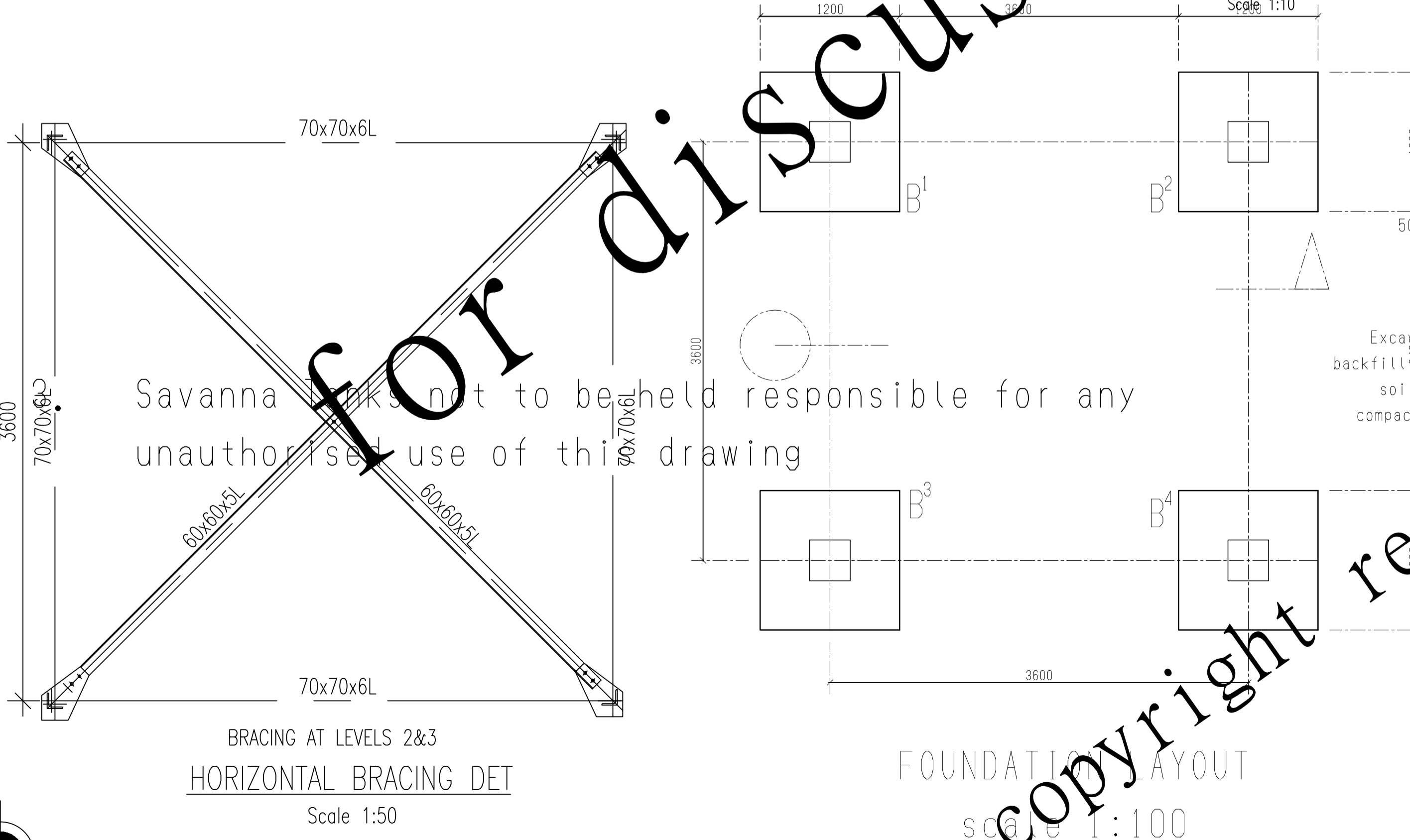
ELEVATION A
scale 1:100

ELEVATION B
scale 1:100

STEP LADDER
FRONT ELEVATION

STEP LADDER
SIDE ELEVATION

BOLT DETAILS
Scale 1:10



BRACING AT LEVELS 2&3
HORIZONTAL BRACING DET
Scale 1:50

FOUNDATION LAYOUT
scale 1:100

FOUNDATION DETAIL
Scale 1:50

Savanna Tanks not to be held responsible for any unauthorised use of this drawing

This drawing is vested in & is property of V.C.I it shall not be traced, copied or reproduced in any manner whatsoever without written consent.

CLIENT ;

Project Title
50kL GRP TANK ON 10M STAND

Savanna Tanks™
Water Solutions for Africa
A DIVISION OF
VCI
VANCOUVER CONSOLIDATED INVESTMENTS
Head Office
P/Bag Bo 273
Gaborone
Botswana
vci@global.com

REV
A

Datum Name multi-view detail plan (Ers. f.) (Ers. d.)