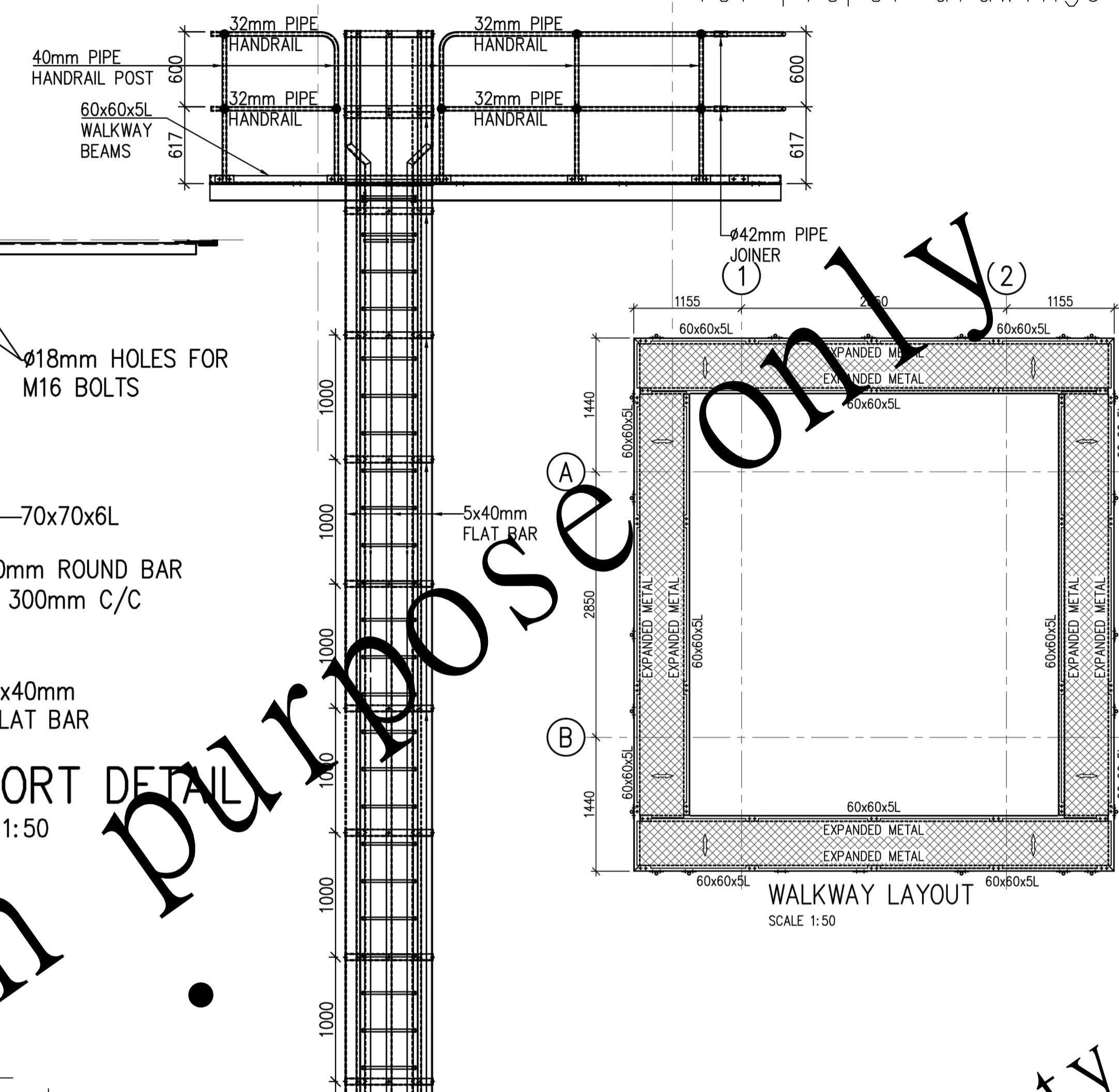
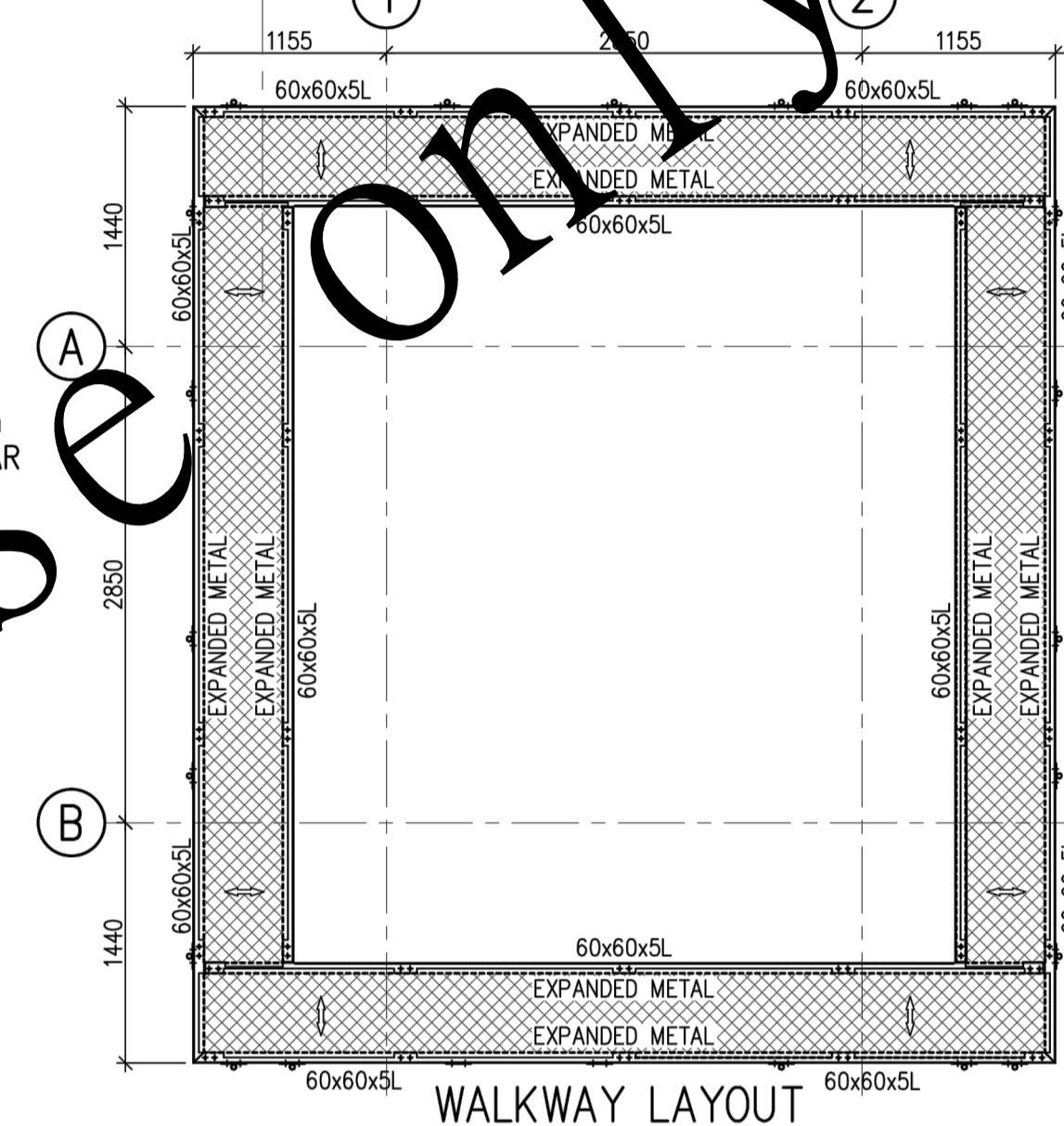


LADDER SUPPORT DETAIL
SCALE 1:50



HAND RAILS ELEVATION
SCALE 1:50

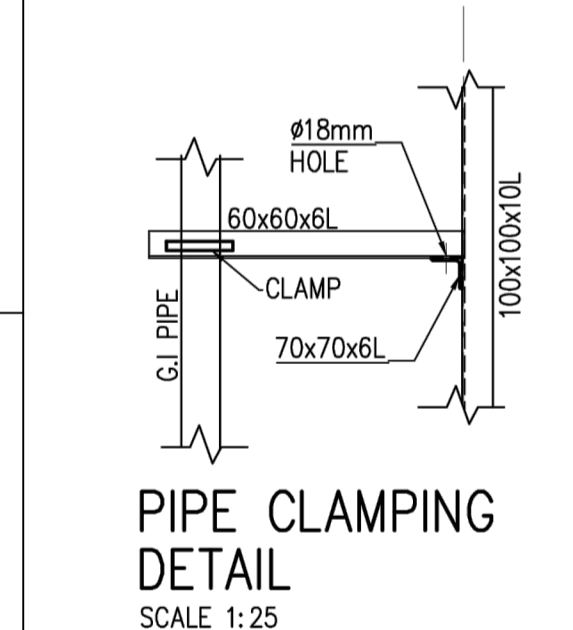


WALKWAY LAYOUT
SCALE 1:50

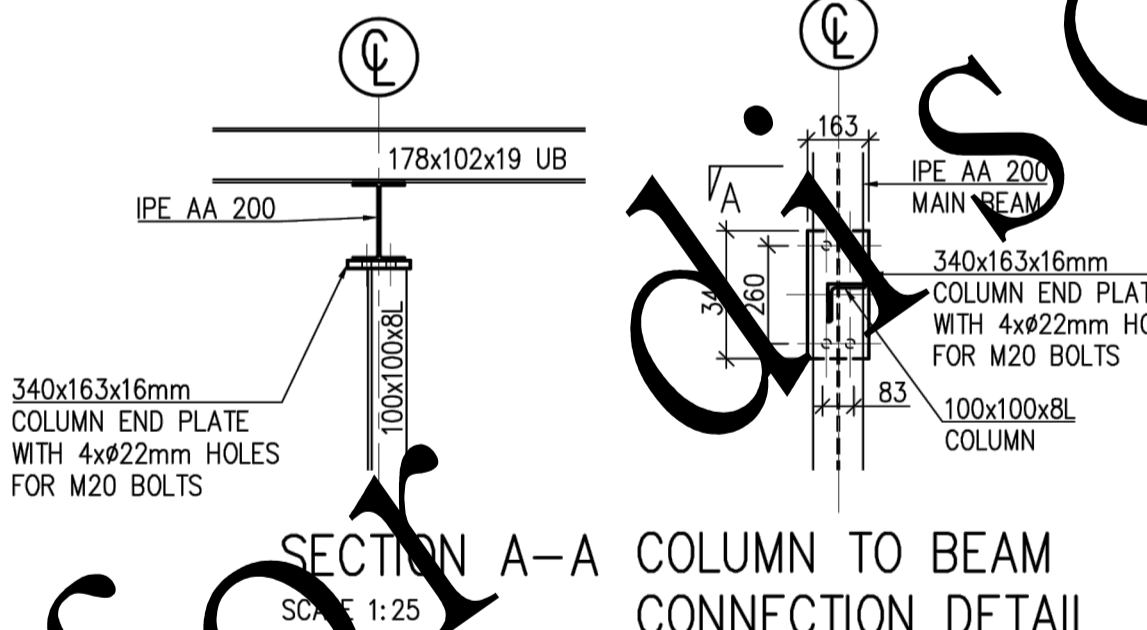
ELEVATION A
scale 1:100

ELEVATION B
scale 1:100

FOUNDATION LAYOUT
scale 1:100

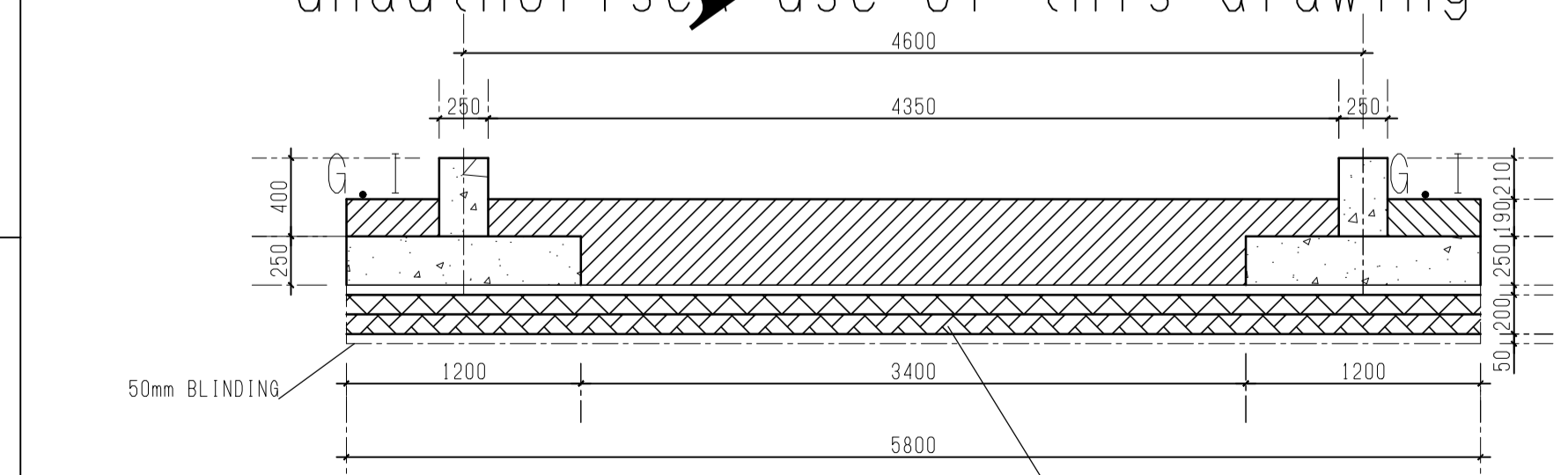


PIPE CLAMPING
DETAIL
SCALE 1:25



SECTION A-A COLUMN TO BEAM
CONNECTION DETAIL
SCALE 1:25

3. Savanna Tanks not to be held responsible for any unauthorised use of this drawing



HD BOLT LAYOUT
scale 1:100

Excavate to 1 meter backfilling in 150mm layers soilcrete 5-7 0/0 compaction under slab.
R,E and Consultant responsible

CONCRETE GRADES
THE FOLLOWING CONCRETE GRADES ARE TO BE ADOPTED FOR CONSTRUCTION.
1/ ALL MASS CONCRETE FILL AND BLINDING LAYERS GRADE 15MPa.
2/ ALL FOUNDATION SLABS GRADE 30MPa.
3/ ALL DWARF WALLS GRADE 30MPa.

GENERAL SPECIFICATION
NOTES ON FOUNDATION CONSTRUCTION
1/TOPSIDE OF RAFT TO BE 50MM ABOVE FINISHED GROUND LEVEL TO ALLOW FOR DRAINAGE.
2/ SOIL UNDER RAFT TO BE CAPABLE OF SUSTAINING A MIN. ALLOWABLE BEARING PRESSURE OF 100kPa WITHOUT FAILURE OR EXCESSIVE SETTLEMENT.
3/MAKE UP ANY OVER EXCAVATED AREAS TO UNDERSIDE OF RAFT FOUNDATION AND ASSOCIATED STRUCTURE WITH CEMENT STABILISED (5% BY WIEGHT) SELECTED INERT NON-EXPANSIVE MATERIAL, COMPACTED IN LAYERS NOT EXCEEDING 150mm.
4/ONLY OR 1/500 DEFLECTION ALLOWED

REINFORCED CONCRETE WORK
1/ALL UPSTAND BEAMS 200 WIDE
2/ALL EXPOSED CONCRETE TO HAVE SMOOTH OFF SHUTTER FINISH U.N.O.
3/ALL EXTERNAL CORNERS TO HAVE 30mm CHAMFERED FINISH.
4/ALL CONCRETE TO BE GRADE 30MPa.

NOTES ON REINFORCEMENT
1/COVER TO REINFORCEMENT
40mm COVER TO BASE SLAB
30mm COVER TO DWARF WALL/BEAM
2/ENGINEER TO INSPECT AND APPROVE FINAL STEEL FIX PRIOR TO CASTING CONCRETE.
3/ALL REINFORCEMENT STEEL TO COMPLY WITH BS4449, BS4482 & BS4483.
4/MINIMUM LAP LENGTH 50 x BAR DIAMETER U.O.N.

STRUCTURAL STEELWORK
1/ALL STEELWORK FOR CAST IN PLATES, SPRAGS, FLAT BAR ETC. TO BE IN ACCORDANCE WITH SABS 1431 GRADE 300MA OR SIMILAR APPROVED.
2/ALL WELDS TO BE MIN. 6mm CONTINUOUS FILLET U.N.O.
3/FABRICATION, WORKMANSHIP ETC. TO BE IN ACCORDANCE WITH SABS 1200M
4/ALL BOLTS TO SABS 1700 (ISO4016)

This drawing is vested in & is-property of V.C.I it shall not be traced, copied or reproduced in any manner whatsoever without written consent.

CLIENT ;

Project Title
75KI GRP TANK ON 15M STAND

Savanna Tanks™
A DIVISION OF
VCI
VANCOUVER CONSOLIDATED INVESTMENTS
Head Office
P/Bag Bo 273
Gaborone
Botswana
vci@global.com

REV
A

Datum Name multi-view detail plan (Ers. f.) (Ers. d.)